

GENERAL TECHNICAL DATA

dimensions:

- Height: 78 cm
- Width: 100 cm
- Depth: 100 cm

weight

- 105 kg

materials:

- stainless steel or carbon steel
- concrete

DESCRIPTION:

Welded structure connected to a concrete top. Welded structure made of 2, 4 and 9 mm thick steel sheets and 114 mm diameter steel tube, made of carbon steel s235Jr galvanised and powder-coated according to RAL or all stainless steel 1.4301 ground. Table top made of cast concrete with a diameter of 1000 mm. All landscaping elements must be properly anchored according to the manufacturer's technical instructions. The manufacturer is not liable for damage caused by negligent use or failure to follow instructions.

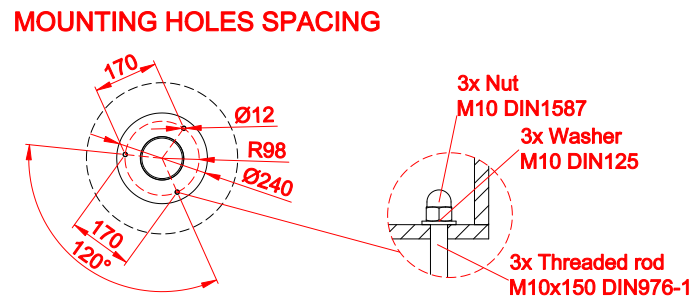
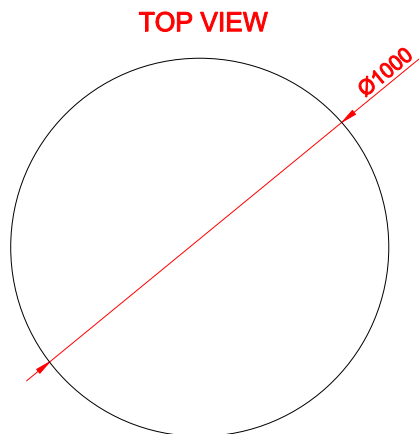
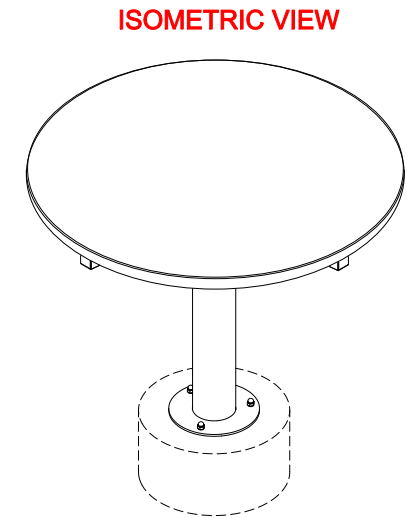
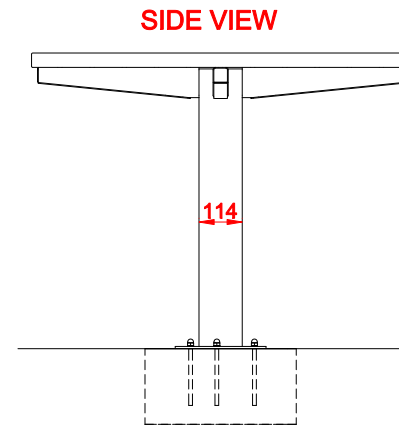
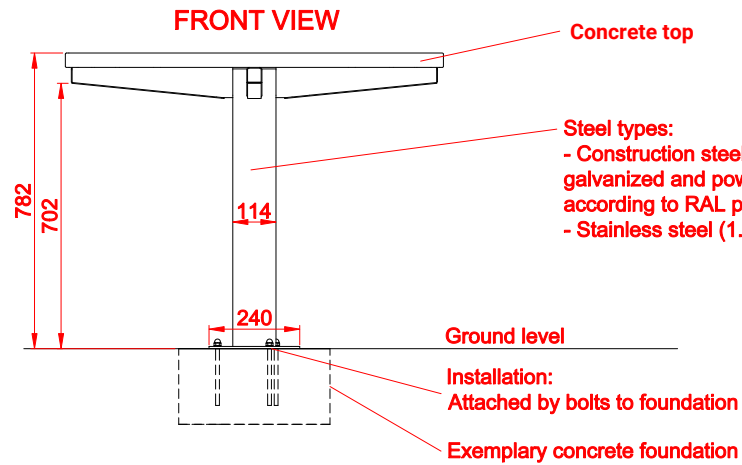


optional stainless steel game board



product:
Amicus table
13.033.2
designer: Iwona Żaczek

Zano company Mirosław Zarotyński, in accordance with the Act on Copyright and Related Rights Act of 04/02/1994 (Journal of Laws No. 24 item 83, rectified: Journal of Laws No. 43 item 170), and also with European Union legislation on copyright protection, including all EU directives and regulations on copyright, reserves the following rights copyrights to drawings, 3D models, renderings, graphics, content contained in the offers, annexes to the offers and other documents - their content is the intellectual property of the ZANO Mirosław Mirosławski Company. ZANO Mirosław Zarotyński company; the use of original ideas, solutions, copying, distributing photographs, graphic fragments, text descriptions for commercial purposes without the permission of the author. for commercial purposes without the permission of the author ZANO Mirosław Zarotyński is prohibited and constitutes an infringement of copyright and is subject to penalties.



wymiary podane w [mm]

Amicus 13.033.2		ZANO Street Furniture Lindego 7A, 30-148 Cracow, Poland phone: +48 12 200 20 53 email: office@zano.pl	
In accordance with the Polish Law on Copyright and Related Rights of 04.02.1994 (Official Journal of Laws No. 24, item 83, corrected: Journal of Laws No. 43, item 170) and in accordance with the EU copyright legislation including all EU directives and regulations on copyright, Zano Miroslaw Zarotyński Company, reserves the copyright of drawings, descriptions, 3D models, renderings, graphics, content contained in offers, attachments to offers and all other documents. Its content is the intellectual property of ZANO Miroslaw Zarotyński company. The use of author's ideas, solutions, copying, distribution of photos, graphics or fragments of graphics, descriptive texts, for profit, without the permission of the author - ZANO Miroslaw Zarotyński company - is prohibited and constitutes a copyright infringement and is punishable.		Numer seryjny:	170920-V1
Sheet:	A4		
Scale:	1:20		
Mass:	105 kg		